

Slab Tee Nut

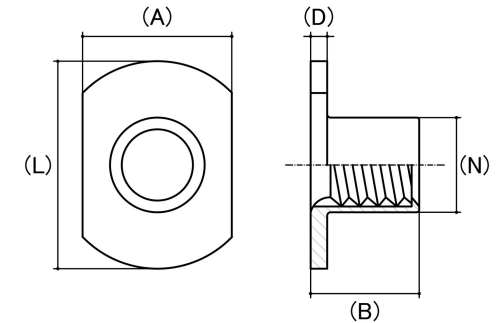
Thread Type: UNC / BSW - Coarse

Thread Direction: Right Hand

Material: Stainless Steel

Class Grade: A2-70 G304

Corrosion Protection Level: Excellent



*CAD drawings shown for graphic representation only.**

Size	Thread Pitch (TPI)	Thread Type	Overall Nut Height (B) (mm)	Nut Length (L) (mm)	Flange Thickness (D) (mm)	Nut Width (A) (mm)	Barrel Length (L) (mm)	Body Diameter (N) (mm)	sku (qfind)
			Nom	Nom	Nom	Nom	Nom	Nom	
3/8"	16	Coarse	10.78	25.00	2.10	17.60	8.36	11.22	41TSSC38

Disclaimer:

Dimensional data and technical information was obtained from publicly available sources and not acquired through standard agencies. It has been completed and compiled for reference purposes only; where discrepancies are found they are subject to change without notice. Bolt & Nut Australia makes no warranties or representations regarding the accuracy and validity of the compiled information and data. Contact the relevant standard authorities for accurate and detailed information.

* CAD drawings may not reflect diameter, thread length or overall length.

© Bolt & Nut Australia Pty Ltd. All rights reserved.

Version: 18 Mar 2024